

# Full-Color

## Turret Network Camera

MODEL: VIGI C450(2.8/4mm)



**5MP | H.265+**

VIGI C450(2.8/4mm)



People & Vehicle  
Analytics\*



Human & Vehicle  
Classification



Smart Detection



True WDR



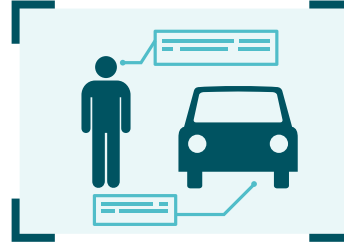
Active Defense



Two-Way Audio

## // People & Vehicle Analytics

Quickly find people or vehicles of interest using various attributes, greatly improve your search efficiency\*.



## // Human & Vehicle Classification

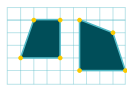
Intelligently distinguishes humans and vehicles from other objects, so you receive more accurate event notifications.



## // Smart Detection



Motion Detection



Region Intrusion



Object Removal Detection



Object Abandoned Detection



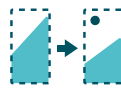
Region Exiting Detection



Region Entering Detection



Line-Crossing



Scene Change Detection



Loitering Detection



Camera Tampering

## // SmartVid



### Smart IR

Keeps objects from being under-rendered when far away or overexposed when close to camera at night.



### 120dB WDR

Enables crystal-clear images in high contrast scenes.



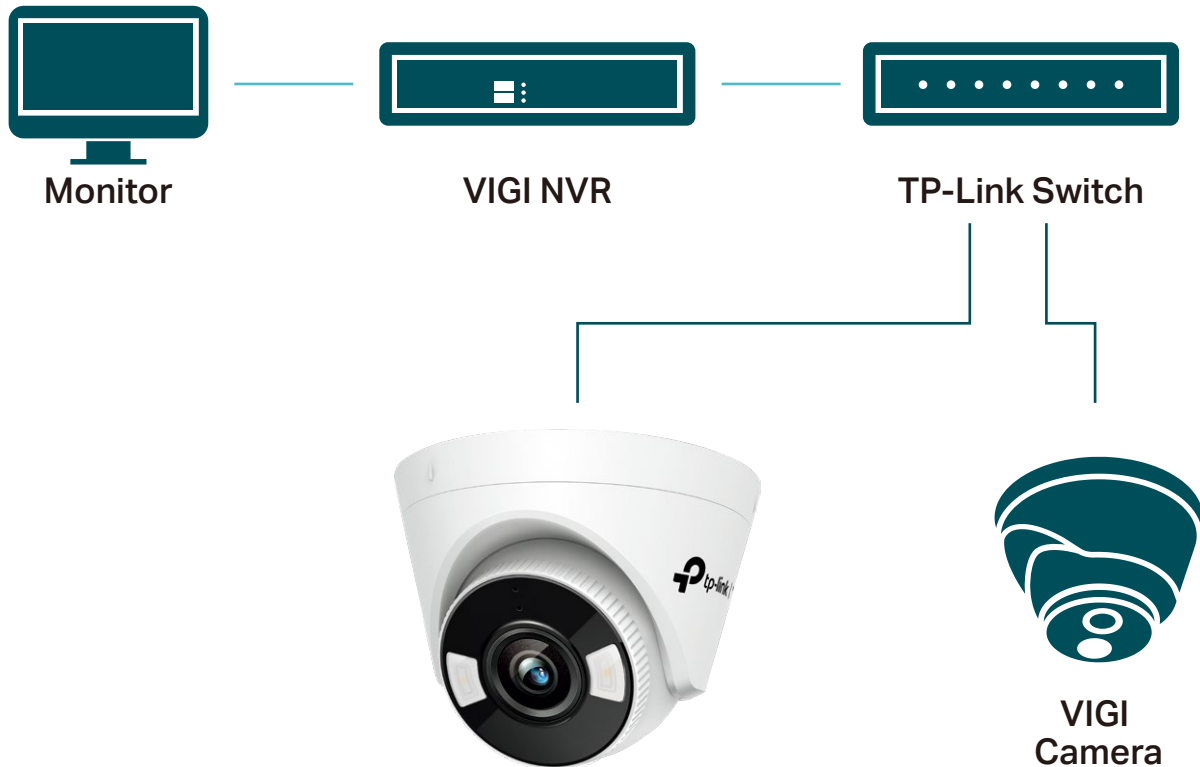
### 3D DNR

Removes abnormal pixelation to provide clearer video and eliminate distortion.

## // VIGI Surveillance Solution

The VIGI professional surveillance system by TP-Link is dedicated to protecting the business that you've worked hard to build—whenever, wherever.

Outstanding functions, reliable quality guarantees, and simplified installation work together to ensure your business stays safe and sound.



## // Flexible Installation

Easily route your camera's cable into a dropped ceiling or avoid drilling by slotting it through the camera's side outlet.



# // Specifications

Camera	
Product Model	VIGI C450
Image Sensor	V1: 1/2.7" Progressive Scan CMOS  V1.20: 1/2.65" Progressive Scan CMOS
Shutter Speed	1/3 to 1/10000 s
Slow Shutter	Yes
Min. Illumination	0.005 Lux; 0 Lux with IR/white light
Day/Night Mechanism	IR Cut Filter
Day/Night Switch	Unified/ Scheduled/ Auto
Lens	
Type	Fixed Focal Lens
Focal Length	2.8 mm/4 mm
Aperture	2.8 mm: F1.6 4 mm: F1.6
FOV	V1.0: • 2.8mm: Horizontal FOV: 109°, Vertical FOV: 57°, Diagonal FOV: 128° • 4mm: Horizontal FOV: 90°, Vertical FOV: 48°, Diagonal FOV: 107°  V1.20: • 2.8mm: Horizontal FOV:108.3°, Vertical FOV: 59.9°, Diagonal FOV:126.8° • 4mm: Horizontal FOV:88.4°, Vertical FOV: 46°, Diagonal FOV:105.9°
Lens Mount	M12*P 0.5
DORI Distance	2.8 mm Detect: 64 m (210 ft) Observe: 27 m (89 ft) Recognize: 13 m (43 ft) Identify: 6 m (20 ft)  4 mm Detect: 80 m (262 ft) Observe: 33 m (108 ft) Recognize: 16 m (52 ft) Identify: 8 m (26 ft)
Angle Adjustment (Manual)	
Range	Pan: 0° to 360°, Tilt: 0° to 85°
Illuminator	
Illuminator Type	• 2× IR LED • 2× White LED
Illuminator Distance	30 m (98 ft)
Illuminator On/Off Control	Auto/Scheduled/Always on/Always off

Video	
Max. Resolution	2880 X 1620
Main Stream	<p>Frame Rate 50Hz: 1fps, 5fps, 10fps, 15fps, 20fps, 25fps 60Hz: 1fps, 5fps, 10fps, 15fps, 20fps, 25fps, 30fps</p> <p>Resolution: 2880x1620, 2688x1520, 2304x1296, 2048x1280, 1920x1080, 1280x720 Note: If the image rotation is set to 90° or 270°, the frame rate only supports up to 20fps.</p>
Sub-Stream	<p>Frame Rate: 50Hz: 1fps, 5fps, 10fps, 15fps, 20fps, 25fps 60Hz: 1fps, 5fps, 10fps, 15fps, 20fps, 25fps, 30fps</p> <p>Resolution: 848x480, 704x576, 640x480, 640x360, 352x288, 320x240 Note: If the image rotation is set to 90° or 270°, the frame rate only supports up to 20fps.</p>
Bit Rate Control	CBR, VBR
Video Compression	Main Stream: H.265+/H.265/H.264+/H.264 Sub-Stream: H.265/H.264
H.264 Type	High Profile
H.264+	Main Stream Supported
H.265 Type	Main Profile <sup>^</sup>
H.265+	Main Stream Supported <sup>^</sup>
Video Bit Rate	Main Stream: 256 Kbps to 6 Mbps Sub-Stream: 64 Kbps to 512 Kbps
Image	
Image Settings	Mirror, Brightness, Contrast, Saturation, Sharpness, Exposure, WDR, White Balance, Prevent Overexposure to Infrared Light, HLC Adjustable by Client Software, Rotation(90°/270°)
Image Enhancement	BLC/3D DNR/HLC/SmartIR
Wide Dynamic Range	120 dB Note: When People & Vehicle Analytics is enabled, only DWDR is supported.
SNR	≥ 52 dB
Image Parameters Switch	Yes
Privacy Mask	Up to 4 Masks
ROI	1 Region
OSD Setting	Yes
Audio	
Audio Communication	Two-Way Audio
Audio Input	Yes (Built-in Microphone)

Audio Output	Yes (Built-in Speaker)
Audio Compression	Yes
Audio Sampling Rate	8KHz
Environment Noise Filtering	Yes
Audio Bit Rate	64 Kbps(G.711 alaw)
<b>Network</b>	
Protocols	TCP/IP, UDP, ICMP, HTTP, HTTPS, DHCP, 802.1x, DNS, RTSP, NTP, UPnP, SSL/TLS, FTP/SFTP, RTP, IPv4, IPv6, ARP, SMTP, SNMP, RTMP
API	Open Network Video Interface (Profile G/S/T)
Web Browser	Google Chrome® 57 and above Firefox® 52 and above Safari® 11 and above Microsoft® Edge 91 and above
Security	Password Protection, HTTPS Encryption, IP Address Filter, Digest Authentication, 802.1X authentication
Simultaneous Live View	3 Main Streams & 3 Sub-Streams
Client	VIGI App, Web UI, VIGI VMS, VIGI Cloud VMS, VIGI Config Tool, VIGI PC Client
Cloud	Yes
ONVIF	Yes
<b>Alarm and Event Management</b>	
Smart Event	<ul style="list-style-type: none"> <li>• Intrusion Detection</li> <li>• Line-Crossing Detection</li> <li>• People Detection</li> <li>• Vehicle Detection</li> <li>• Region Entering Detection</li> <li>• Region Exiting Detection</li> <li>• Object Abandoned Detection</li> <li>• Object Removal Detection</li> <li>• Loitering Detection</li> <li>• Abnormal Sound Detection</li> <li>• Scene Change Detection</li> </ul>
Basic Event	<ul style="list-style-type: none"> <li>• Motion Detection (Enhanced with Human &amp; Vehicle Classification for more accurate alerts)</li> <li>• Video Tampering Detection</li> <li>• Exception ( Illegal Login)</li> </ul>
Alarm Linkage	<ul style="list-style-type: none"> <li>• Memory Card Video Recording</li> <li>• Upload to FTP server</li> <li>• Push Notifications</li> <li>• Active Defence-Sound Alarm</li> <li>• Active Defence-Light Alarm</li> <li>• Email Alarm</li> <li>• Send to Alarm Server</li> </ul>
<b>Deep Learning Function</b>	
People & Vehicle Analytics	Search and filter to people or vehicle of interest based on many different attributes, making post-event search faster and easier.

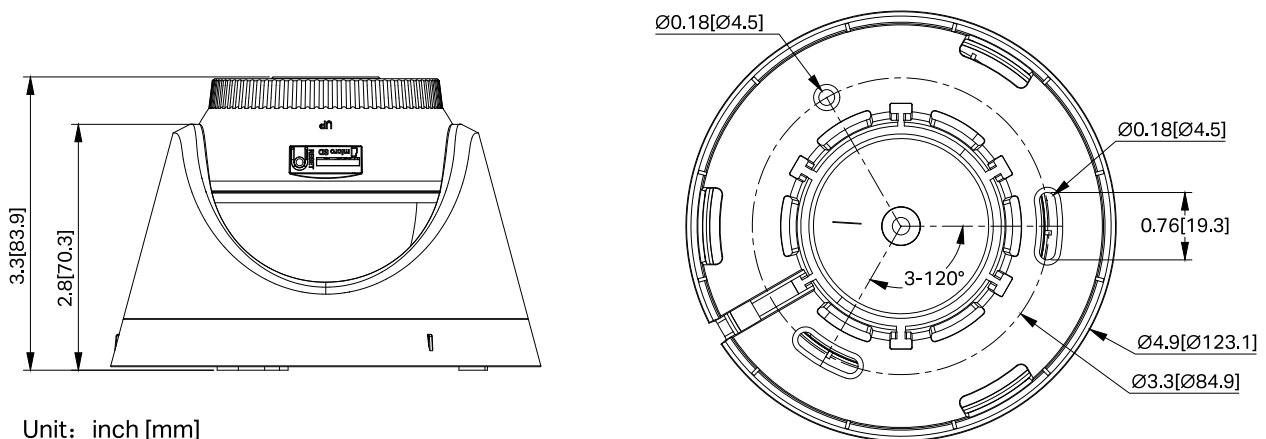
## Interface

Network Interface	1 RJ45 10/100M Self-Adaptive Ethernet Port, PoE
On-board Storage	Built-In Memory Card Slot, Support MicroSD Card, up to 512 GB
Built-in Speaker	Yes
Built-in Microphone	Yes; Records Anything Going on within a 16.4-ft (5 m) Radius of the Camera
Audio	N/A
Alarm	N/A
Reset Button	Yes
Power	DC Power Port

## General

Operating Temperature	-30 °C to 60 °C (-22 °F to 140 °F)
Storage Temperature	-40 °C to 60 °C (-40 °F to 140 °F)
Operating Humidity	95% or Less (Non-Condensing)
Storage Humidity	95% or Less (Non-Condensing)
Power Supply	12V DC $\pm$ 5%, Max. 9 W, 5.5mm Coaxial Power Plug PoE: 802.3af/at, class 0, Max. 10.5 W
Material	Plastic
Protection	N/A
Product Dimensions (L x W x H)	$\Phi$ 4.8 x 3.3 in ( $\Phi$ 123 x 84 mm)
Package Contents	VIGI Network Camera Quick Start Guide Mounting Accessories
Net Weight	0.24 Kg
Gross Weight	0.4 Kg
Certifications	CE, NTRA, VCCI, KC, BSMI, FCC, IC

## Dimensions



Unit: inch [mm]

\*\*Calculations based on laboratory testing using a 3MP VIGI camera, and an actual performance may vary according to the amount of activity recorded, resolution and other variables.

\*Tile encoding is automatically enabled in H.265 mode when the horizontal resolution exceeds 2688. If a third-party NVR doesn't support tile encoding, it cannot enable H.265 mode. For optimal performance, we recommend using VIGI NVR with VIGI cameras.

\*SD card is not included in the package.

Specifications are subject to change without notice and can be found at [www.vigi.com](http://www.vigi.com).

©2026 TP-Link